

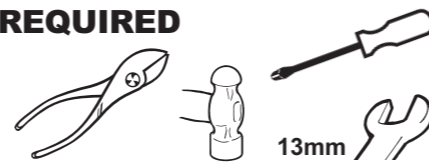
2-4
YEARS

Sound Around Trike

TOOLS REQUIRED

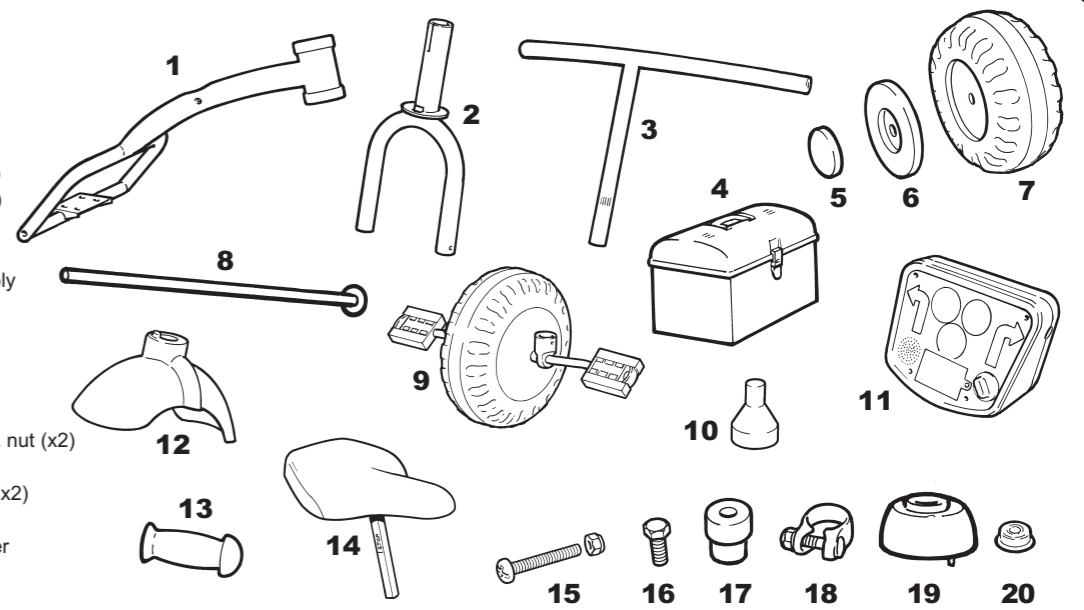
NOT SUPPLIED

Screwdriver
Hammer
Spanner - 13mm
Wire cutters



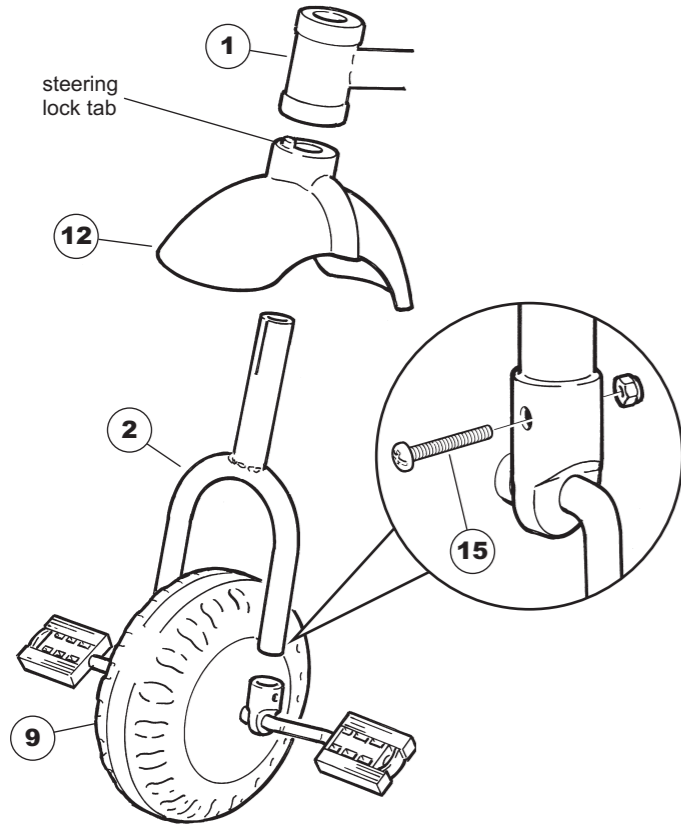
CONTENTS

- 1 Main frame
- 2 Forks
- 3 Handlebars
- 4 Toolbox
- 5 Rear wheel cap (x2)
- 6 Rear wheel hub (x2)
- 7 Rear wheel (x2)
- 8 Axle
- 9 Front wheel assembly
- 10 Starlock fitting tool
- 11 Sound unit
- 12 Front mudguard
- 13 Handlebar grip (x2)
- 14 Saddle and pillar
- 15 Fork retaining bolt & nut (x2)
- 16 Saddle pillar bolt
- 17 Rear wheel spacer (x2)
- 18 Steering clamp
- 19 Steering clamp cover
- 20 Starlock



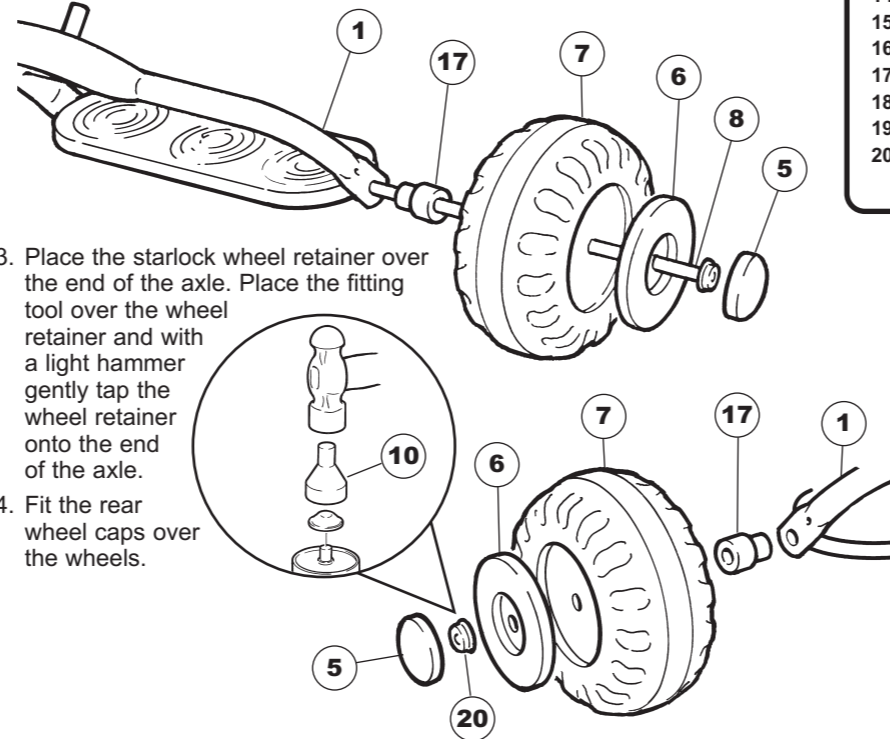
FRONT WHEEL

1. Slide the mudguard onto the front forks.
2. Push the front fork ends into the location cups on the front wheel assembly.
3. Lock into position using the fork retaining screws.
4. Push the stem up through the main frame head, ensuring the steering lock tab is forward facing and locates in the groove in the frame head.



REAR WHEEL

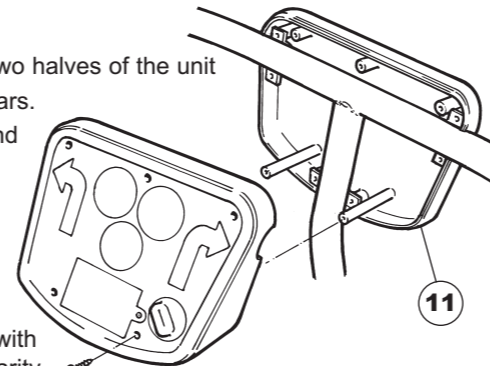
1. Slide the axle through a rear wheel hub, rear wheel, rear wheel spacer and then through the frame. Ensure the axle is pushed as far as possible.
2. From the opposite side, slide on a rear wheel spacer, rear wheel and rear wheel hub.



3. Place the starlock wheel retainer over the end of the axle. Place the fitting tool over the wheel retainer and with a light hammer gently tap the wheel retainer onto the end of the axle.
4. Fit the rear wheel caps over the wheels.

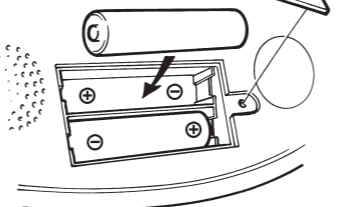
ASSEMBLING THE SOUND UNIT

1. Remove the five screws securing the two halves of the unit.
2. Position the back plate on the handlebars.
3. Place the front of the unit in position and secure with the five retaining screws.



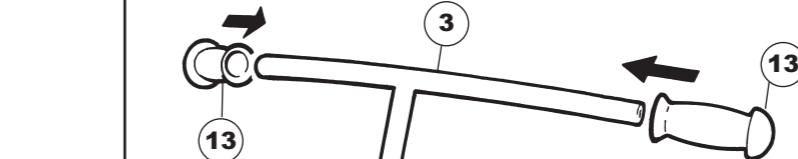
REPLACING THE BATTERIES

1. Unscrew the battery cover retaining screw and remove cover.
2. Remove the old batteries and replace with the new batteries ensuring that the polarity is correct. Do not mix new and old batteries.
3. Locate the two retaining lugs on the end of the cover into their slots and secure the cover with its retaining screw.



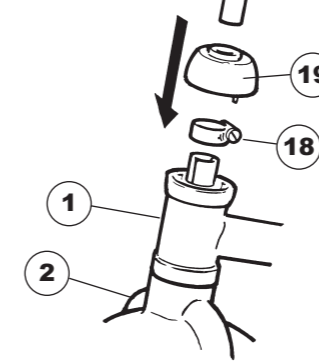
BATTERY CARE INFORMATION

The batteries must be installed / replaced by an adult only. Rechargeable batteries are to be removed from the product before being charged. Rechargeable batteries are only to be charged under adult supervision. Different types of batteries or new and used batteries are not to be mixed. Only batteries of the same or equivalent type as recommended are to be used. Batteries are to be inserted with the correct polarity. Exhausted batteries are to be removed from the unit. The supply terminals are not to be short-circuited. Do not attempt to recharge non-rechargeable batteries.



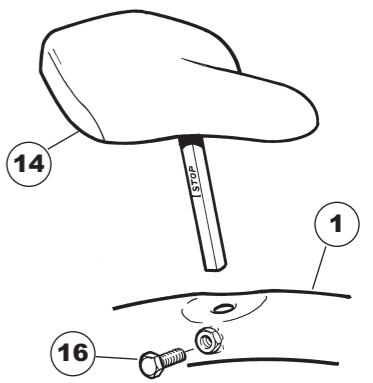
HANDLEBARS

1. Slide the handlebar grips onto the ends of the handlebars. Lubricate inside grips with washing-up liquid or detergent to help them slide on the handlebar ends.
2. Slide the clamp cover onto the handlebar stem and then push the handlebar stem down into the top of the fork stem as far as the stop marks.
3. Set the handles at right angles to the front wheel and, with the clamp adjusting barrel facing rearwards, tighten the clamp.
4. Slide the cover down over the clamp.



SADDLE

1. Screw the 13mm Hex Head bolt one or two turns into threaded hole in the side of the crossbar.
2. Push the saddle stem into the crossbar as far as the stop and fully tighten the bolt.



This trike is to be assembled by an adult. Check the contents and only remove the protective packaging from each item as and when it is to be fitted. Please keep the packaging until you have completely assembled the trike. **Important owner's information** Please read this before allowing your child to ride the trike.

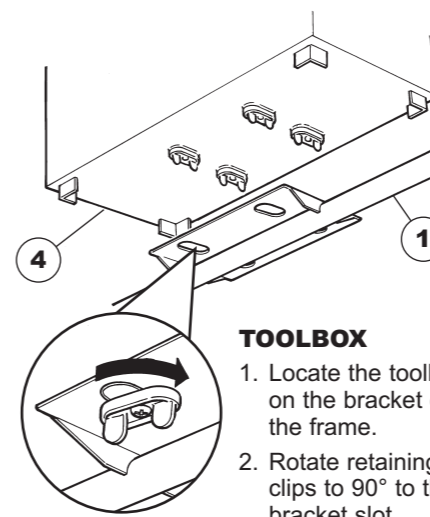
FOR YOUR CHILD'S SAFETY

Recheck that all screws, nuts and bolts are firmly tightened. Make sure that your child is capable of riding this trike. Always supervise children when they are riding. It is important that they are never unattended. This trike is designed for a single rider, and should never be ridden by more than one child at a time. It is not recommended for riders over 35kg in weight.

DO NOT STAND, SIT OR PUT EXCESSIVE PRESSURE ON THE TOOLBOX.

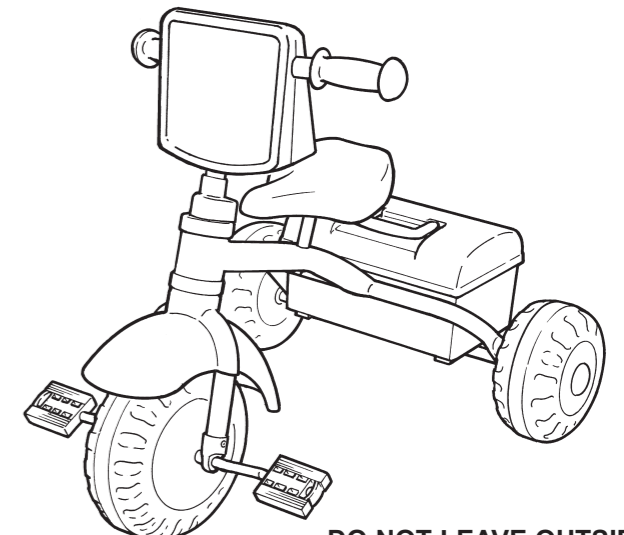
After the trike has been assembled, please remove the starlock fitting tool.

Please check all screws and fittings are secure before giving to your child.



TOOLBOX

1. Locate the toolbox on the bracket on the frame.
2. Rotate retaining clips to 90° to the bracket slot.
3. Tighten retaining clip screw to make box secure, do not overtighten.



DO NOT LEAVE OUTSIDE

DISTRIBUTED BY



MV SPORTS & LEISURE LTD
35 Tameside Drive
Castle Bromwich • Birmingham
B35 7AG • UK
Email: info@mvsports.com
www.mvsports.com

Please retain this leaflet for reference to the manufacturer. Carefully made in Taiwan to European Safety Standards.



The CE mark denotes compliance with the standards laid down by the EC (European Community).

CUSTOMER HELPLINE (UK ONLY) 0870 8404255

We make every effort to ensure that this product reaches you in satisfactory condition.

However if you have any queries, need assistance, or find this product defective, please call our Customer Helpline.