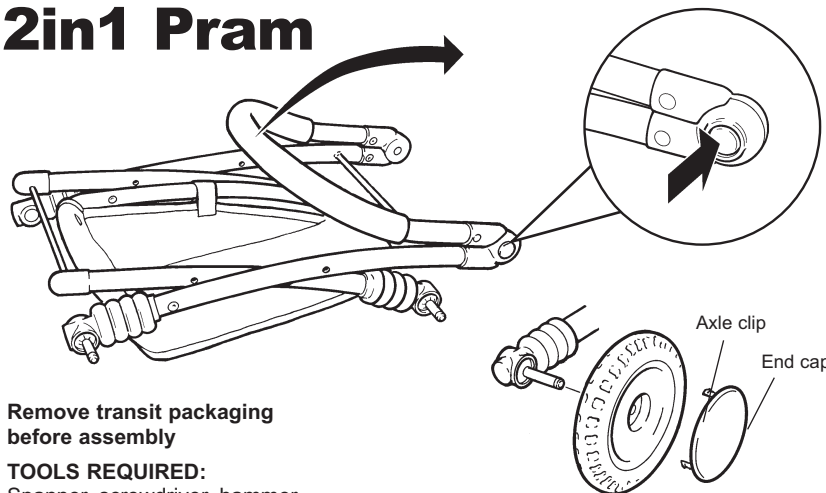


2in1 Pram

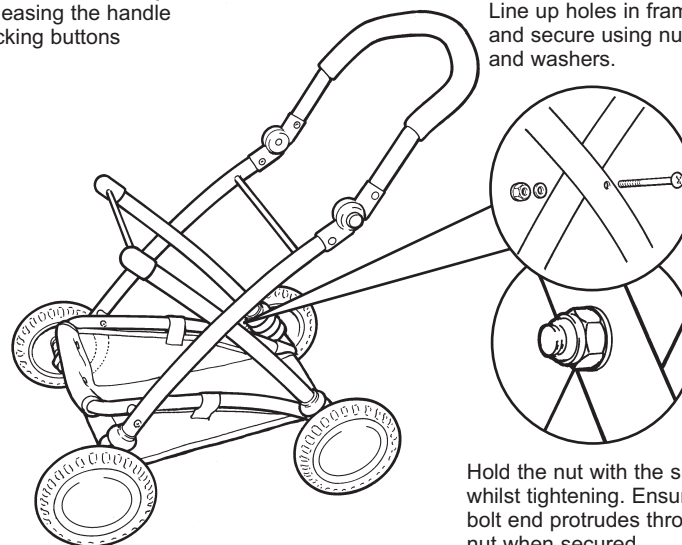


Remove transit packaging before assembly

TOOLS REQUIRED:
Spanner, screwdriver, hammer

1 Slide wheel over axle. Push wheel down firmly until it clicks into place. Snap fit the wheel cap into slots in the wheel. Repeat for all wheels.

2 Open out handle by releasing the handle locking buttons



3 Lift handle to open out frame. Line up holes in frame tubes and secure using nuts, bolts and washers.

Hold the nut with the spanner whilst tightening. Ensure the bolt end protrudes through the nut when secured.



4 Pram body: when opened for use ensure that the two metal stays are pushed out to the stops on the base of the body.

WARNINGS

Only suitable for dolls. Do not allow children to sit or ride in this toy.

Check regularly for wear and tear. Discontinue use if breakage is found. Failure to do this may result in injury. THIS PRODUCT IS NOT SUITABLE FOR CHILDREN UNDER 3 YEARS DUE TO SMALL PARTS.

WASHING INSTRUCTIONS

Wipe with a damp cloth. Use mild detergent if necessary. Do not machine wash this fabric.

Please retain this leaflet for reference to the manufacturer

Product No. M05509

Carefully made in China to European Safety Standards

DISTRIBUTED BY

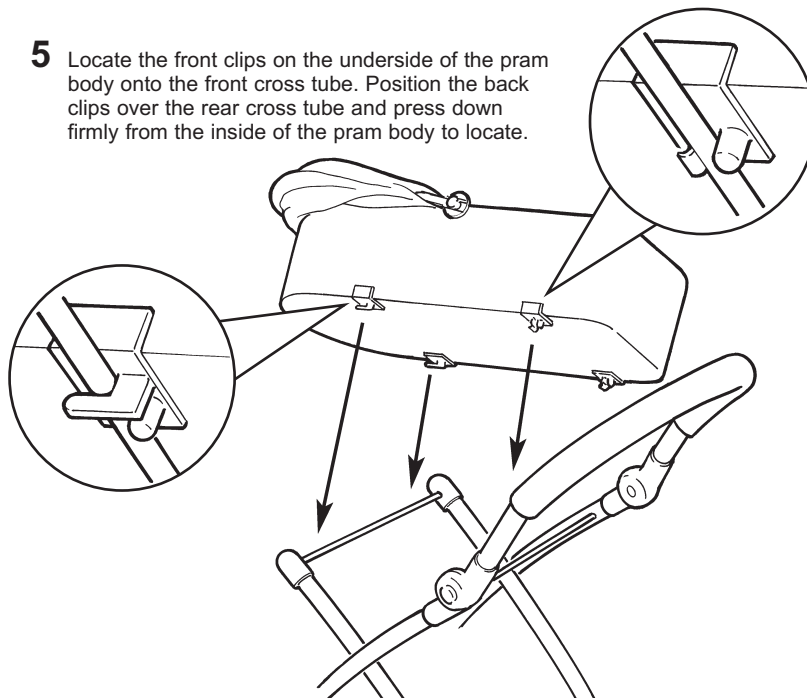


MV SPORTS & LEISURE LTD

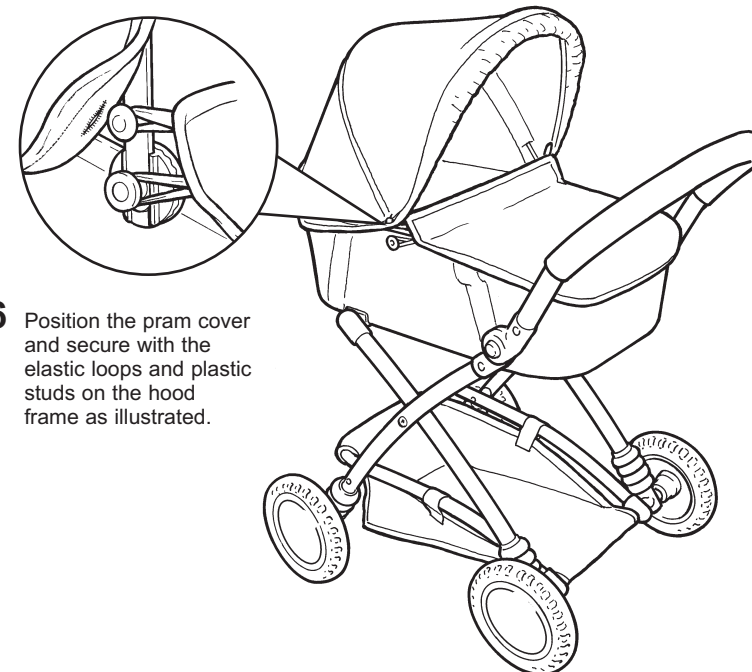
35 Tameside Drive • Castle Bromwich • Birmingham
B35 7AG • UK • Email: info@mvsports.com
www.mvsports.com



5 Locate the front clips on the underside of the pram body onto the front cross tube. Position the back clips over the rear cross tube and press down firmly from the inside of the pram body to locate.



6 Position the pram cover and secure with the elastic loops and plastic studs on the hood frame as illustrated.



CUSTOMER HELPLINE

We make every effort to ensure that this product reaches you in satisfactory condition.

However if you have any queries, need assistance, or find this product defective, please call our Customer Helpline:

0870 8404255 (UK ONLY)